

*В*

# ПРИЛОЖЕНИЕ №6

## ЧЕРТЕЖИ И ЕДНОЛИНЕЙНИ СХЕМИ

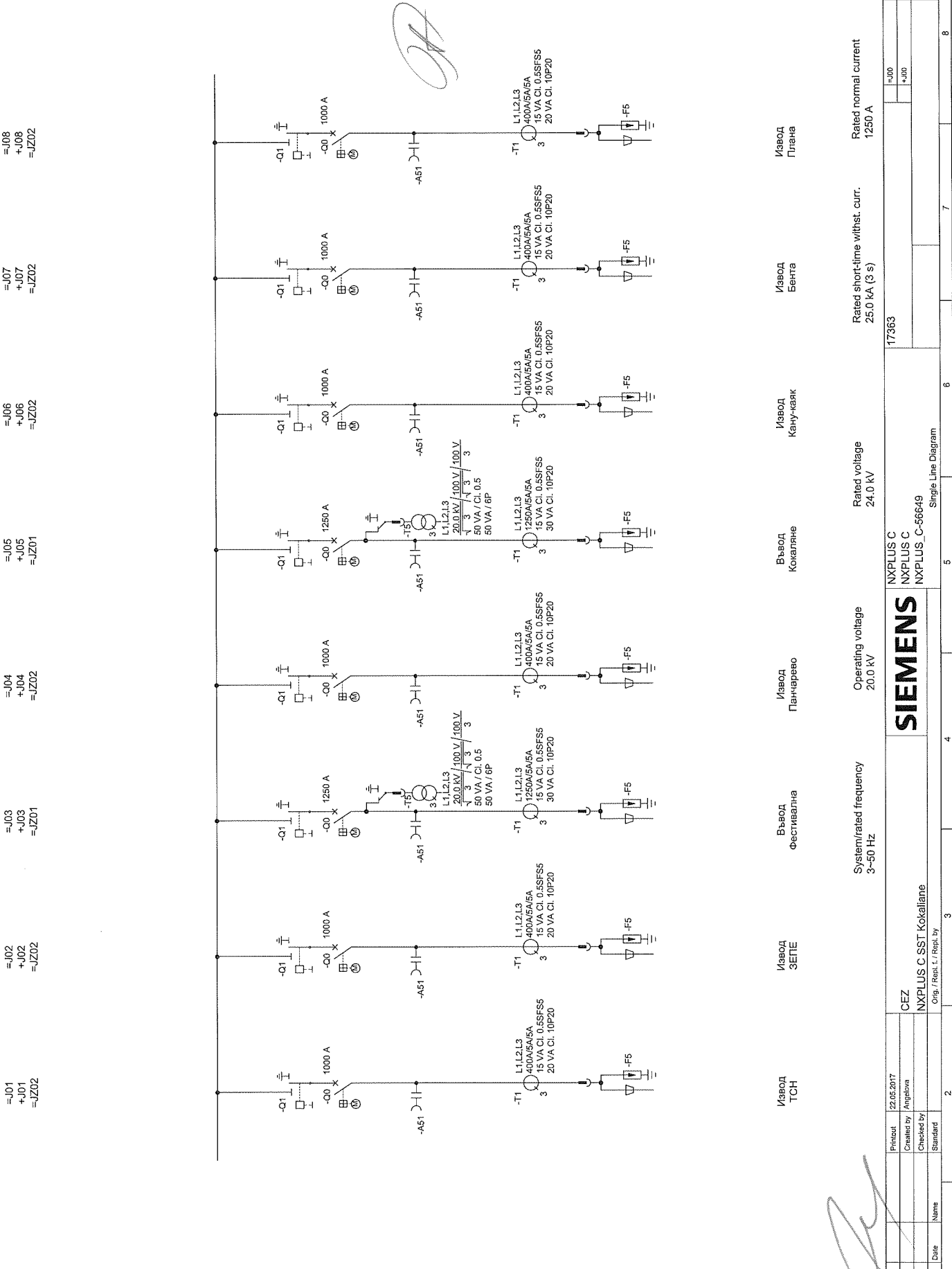
*М*

*А.Ред*

M. Roel

Proprietary data, company confidential. All rights reserved.  
 Vertriebsliche, firmeninterne Daten. Alle Rechte vorbehalten.  
 Contine a titre de secret d'entreprise. Tous droits réservés.  
 Confido como secreto industrial. Nos reservamos todos los derechos.  
 Comunicado como segredo empresarial. Reservados todos los derechos.

Copying of this document is giving it to others and reuse or communication of the contents thereof are forbidden without express authority. Offenders are liable to pay moral damages. All rights are reserved in the event of the grantor patent or the registration of a utility model or design.



Issue	Revision	Date	Name
	1		

Printout	Created by	Checked by	Standard
22.05.2017	Anglova		

CEZ	Origin / Repl. / Repl. by
NXPLUS C SST Kokaljane	

IXVOD	IXVOD	IXVOD	IXVOD	IXVOD	IXVOD	IXVOD	IXVOD
ТОН	ЗЕПЕ	фестивална	Панчарево	Въвод Кокалјане	Извод Кану-кајак	Извод Бента	Извод Плана

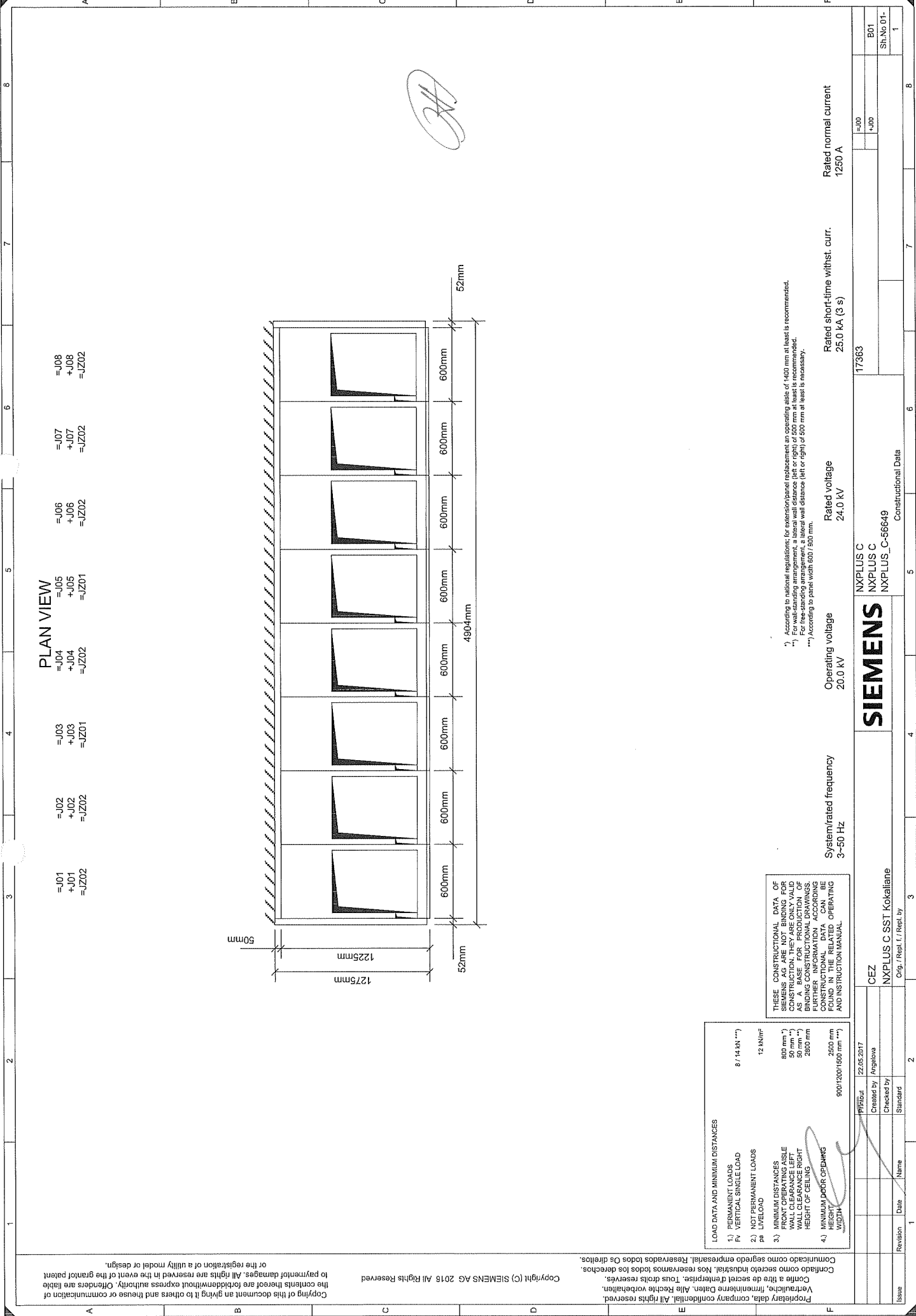
  

System rated frequency	Operating voltage	Rated voltage	Rated short-time withstand curr.	Rated normal current
3-50 Hz	20.0 kV	24.0 kV	25.0 kA (3 s)	1250 A

Sh.No. 01-
1





**PLAN VIEW**

- =J01 =JZ02
- =J02 =JZ02
- =J03 =JZ01
- =J04 =JZ02
- =J05 =JZ01
- =J06 =JZ02
- =J07 =JZ02
- =J08 =JZ02

**LOAD DATA AND MINIMUM DISTANCES**

1.) PERMANENT LOADS	8 / 14 kN (**)
Pv VERTICAL SINGLE LOAD	
2.) NOT PERMANENT LOADS	12 kN/m²
pw LIVE LOAD	
3.) MINIMUM DISTANCES	
MINIMUM DISTANCE	800 mm (*)
MINIMUM DISTANCE	50 mm (*)
WALL CLEARANCE LEFT	50 mm (*)
WALL CLEARANCE RIGHT	280 mm
HEIGHT OF CEILING	
4.) MINIMUM DOOR OPENING	
HEIGHT	2500 mm (**)
WIDTH	900/1200/1500 mm (**)

THESE CONSTRUCTIONAL DATA OF SIEMENS ARE BINDING FOR CONSTRUCTION. THEY ARE ONLY VALID AS A BASE FOR PRODUCTION OF BINDING CONSTRUCTIONAL DRAWINGS. CONSTRUCTIONAL DATA CAN BE FOUND IN THE RELATED OPERATING AND INSTRUCTION MANUAL.

\*) According to national regulations; for extension/panel replacement an operating aisle of 1400 mm at least is recommended.  
 \*\*) For free-standing arrangement, a lateral wall distance (left or right) of 500 mm at least is necessary.  
 \*\*\*) According to panel width 600 / 900 mm.

System/rated frequency 3-50 Hz  
 Operating voltage 20.0 kV  
 Rated voltage 24.0 kV  
 Rated normal current 1250 A  
 Rated short-time withst. curr. 25.0 kA (3 s)

Revision	Date	Name	1
Created by	22.02.2017	Angstov	2
Checked by			3
Standard			4
Issue			5
			6
			7
			8
CEZ NXPLUS C SST Kokallane 17363 NXPLUS C NXPLUS C-56649 Constructional Data			B01 Sh.No.01-1

Copyright (C) SIEMENS AG 2016 All Rights Reserved  
 Copied of this document an giving it to others and reuse or communication of the contents thereof are forbidden without express authority. Offenders are liable to payment of damages. All rights are reserved in the event of the grant of patent or the registration of a utility model or design.

Proprietarile date, companiei confidențiale. All rights reserved.  
 Verhalelche, firmeninterne Daten. Alle Rechte vorbehalten.  
 Conținut de secret de afaceri. Toate drepturile rezervate.  
 Confidado como secreto industrial. Nos reservamos todos los derechos.  
 Comunicado como segredo empresarial. Reservados todos los derechos.

*A. Paul*



Confide a titre de secret d'entreprise. Tous droits reserves.  
Comunicado como segredo empresarial. Reservados todos os direitos.  
Confidado como secreta Industrial. Nos reservamos todos los derechos.

Als Betriebsgeheimnis anvertraut. Alle Rechte vorbehalten.  
Proprietary data, company confidential. All rights reserved.

A

B

C

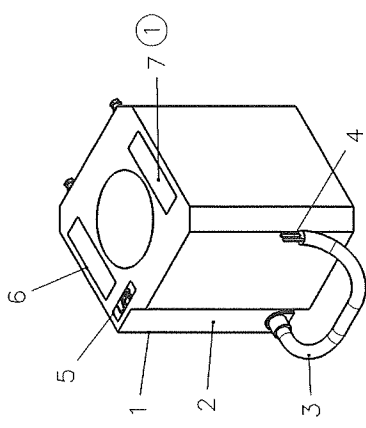
D

E

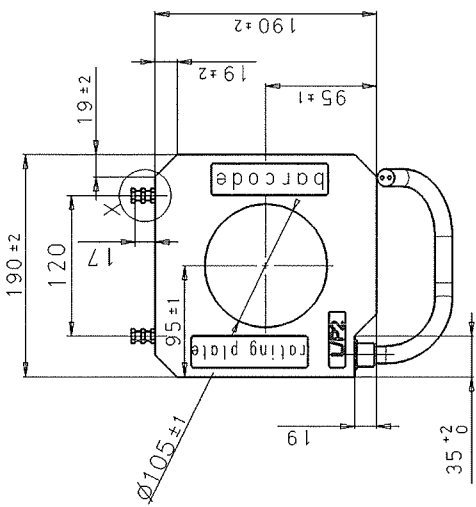
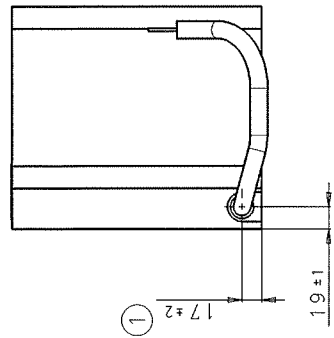
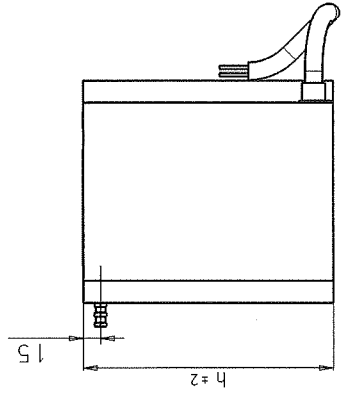
F

HPD

*Handwritten signature*

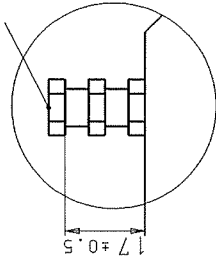


*Handwritten signature*



DETAIL X

2xM8x25 DIN 933  
4xM8 DIN 439



h	
50	
100	
150	
170	①
214	

1. Thermoplast housing scratches
  2. Cast resin, surface without bubbles/
  3. Connection wiring 3,6m; DIN VDE 0281-1, H07VK - K1X4 (4mm<sup>2</sup>), with terminal designation; with 3,1m woven protection hose
  4. Cable end sleeve
  5. Label for polarity
  6. Rating Plate (plus 2x separate delivery)
  7. label for barcode
- 
1. Thermoplast Gehäuse
  2. Gießharz; ohne Blasen/ Kratzer
  3. ANSCHLÜßLEITUNG 3,6m DIN VDE 0281-1, H07VK - K1X4 (4mm<sup>2</sup>), mit Anschlußkennzeichnung; mit 3,1m Gewebeschutzschlauch
  4. Aderendhülse
  5. Schild für Polarität
  6. Leistungsschild (plus 2x separate Lieferung)
  7. Schild mit Barcode

Technische Liefervorschrift/Technical delivery specification: 953-0001.9

Designation Benennung	11-04-2007	ISD Projection
Strömwandler, aufsteckbar 4MC4-30	DERNBACH	①
Current transformer to attach 4MC4-30	PTD-M2-PD-P2	Pos. Blatt
Item number Sachnummer	FFMCB	1-
	<b>SIEMENS</b>	
	953-0004.3	

Date Datum	22-04-2013	RU
Department Abteilung	13/2/99	01
Name Standort	FFMCB	
Revision		

Mass : Masse	Paper size Format	B/A3
Unit: Einheit	Scale	1:1
mm	Released Freigebe	Free

Material No./Nr.	Material No./Nr.
SWF: (-)	

Tolerance Toleranz (1/50)	Material/Workstoff
--	

Date Datum	11-04-2007
Department Abteilung	PTD-M2-PD-P2
Name Standort	FFMCB

*Handwritten signature*